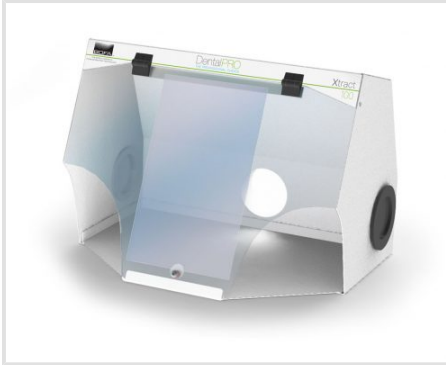




A WORLD LEADER IN FUME EXTRACTION TECHNOLOGY

DentalPRO Xtract 100

Last Updated on 09.04.2021



Dust and fume extraction cabinet for dental laboratory applications.

BOFA's DentalPRO Xtract 100 dust and fume extraction cabinet is designed for the effective removal of potentially harmful dust and fumes generated during dental hand finishing or Monomer mixing applications.

This unit is ideally suited to manual bench top applications and provides technicians the flexibility to work without restriction in the knowledge that dust particles and fumes are being effectively removed to maintain a safe working environment.

This system combines maximum technician protection in a small footprint, with scalable and flexible options.

Technology



ProTECT service plan



SureCHECK quality standard

Key features of the DentalPRO Xtract 100

Easily replaced screen protector ensures clear visibility at all times
Standard

Side entry grommets for mains powered hand finishing units
Standard

Strong rigid construction
Standard

DentalPRO 250 filtration system
Optional

DentalPRO Mono filtration system
Optional

Internal LED strip light
Standard

Removable collection tray
Standard

Powder coated white
Standard

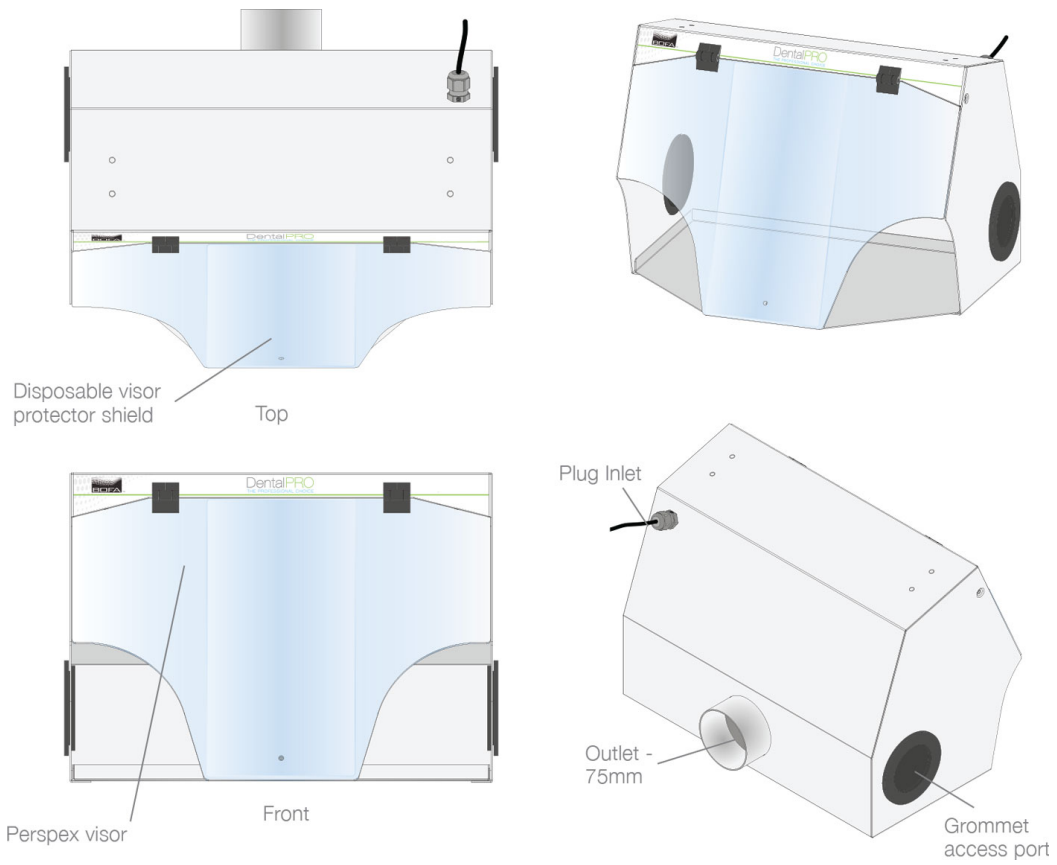
DentalPRO 400 filtration system
Optional

Contact BOFA at <https://bofainternational.com/en/contact/>

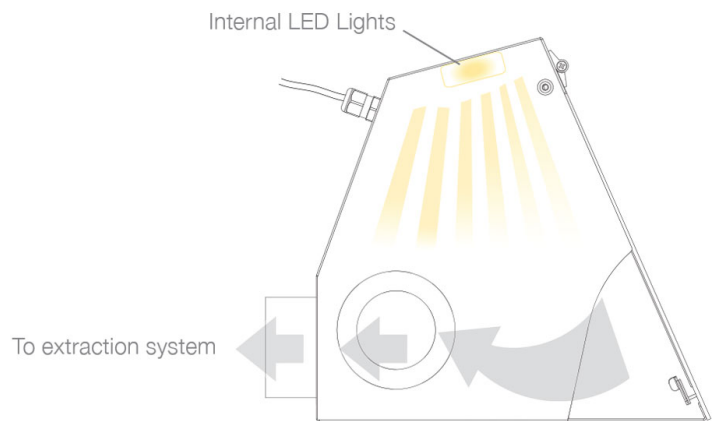
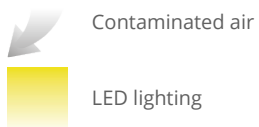
<https://bofainternational.com/en/portal/datasheets/dentalpro-xtract-100/>



Technical specification



Airflow



Technical data

	EU	US
Dimensions	290 x 400 x 345 mm	11.42 x 15.75 x 13.58"
Opening dimensions (HxW)	265 x 395mm	10.4 x 15.6"
Recommended face velocity	0.5m/s	118 f/min
Approvals	UKCA and CE	UKCA and CE

Cabinet part numbers

Model	Part number
DentalPRO Xtract 100	D0945A0000

Hose kit part numbers (needed if ordering extraction system)

Description	Part number
Hose kit to connect extraction system to DentalPRO Xtract cabinet	A1020068

Extraction system part numbers

DentalPRO 400			
Model	Option	Voltage	Part number
DentalPRO 400 powder coated unit twin port 75mm lid		90V - 257V	DL0944A0000
DentalPRO 400 powder coated unit twin port 75mm lid	24V stop / start override silter change signal	90V - 257V	DL0944A0001
Unit options			
Foot switch (on / off operation)			A1070184
DentalPRO 250			
Model		Voltage	Part number
DentalPRO 250 powder coated unit single port 75mm lid		230V	DL0142A0000
DentalPRO 250 powder coated unit single port 75mm lid		115V	DL0141A0000
DentalPRO Mono			
Model		Voltage	Part number
DentalPRO Mono powder coated unit single port 75mm lid		230V	DL2043A0000
DentalPRO Mono powder coated unit single port 75mm lid		115V	DL2041A0000

Datasheet correct at time of publishing.

Where applicable, the carbon used in BOFA units is capable of removing a wide range of VOC's, however it is the responsibility of the user to ensure the carbon is suitable for their application. For specific applications, please contact us for details.

Think before you print! Please consider the environment before printing this document.

